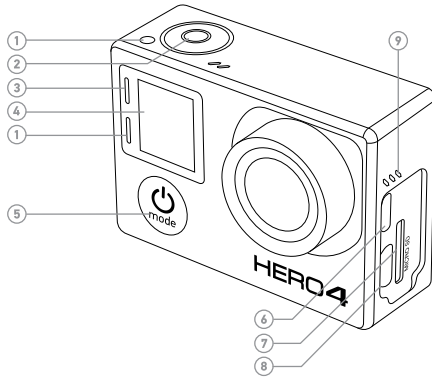


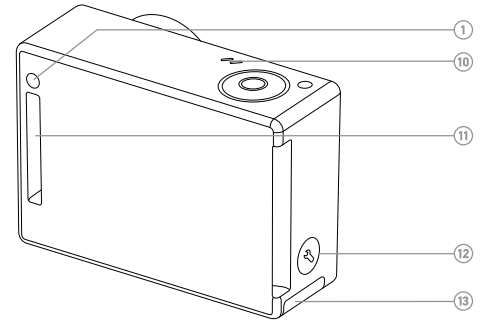
/ The Basics



- 1. Camera Status Light (red)
- 2. Shutter/Select Button [ ]
- 3. Wireless Status Light (blue)
- 4. Camera Status Screen
- 5. Power/Mode Button [ ]
- 6. Micro HDMI Port (cable not included)
- 7. microSD Card Slot (microSD card not included)
- 8. Mini-USB Port (supports composite A/V cable/3.5mm stereo mic adapter, not included)
- 9. Audio Alert

6

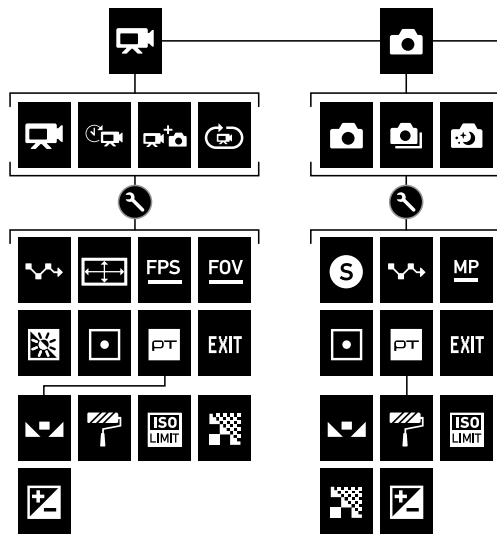
/ The Basics



- 10. Microphone
- 11. HERO Port
- 12. Settings/Tag Button [ ]
- 13. Battery Door

7

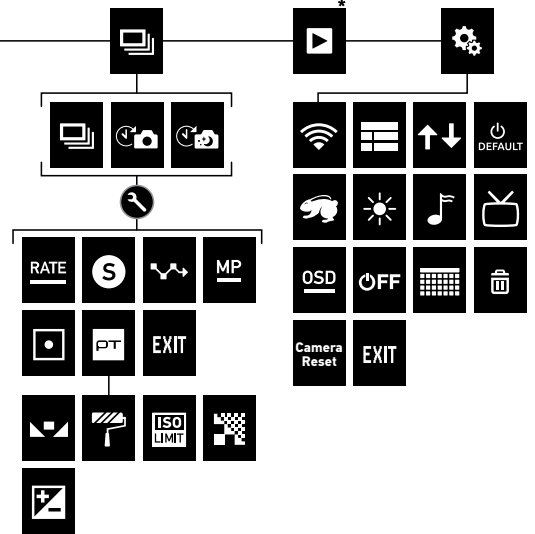
/ Camera Menus



\*Playback appears only if the camera is connected to a TV or LCD Touch BacPac (sold separately).

16

/ Camera Menus



17

/ Getting Started

**INSERTING + REMOVING MICROSD CARDS**

The HERO4 Black camera is compatible with 4GB, 8GB, 16GB, 32GB and 64GB capacity microSD, microSDHC and microSDXC memory cards (sold separately). You must use a microSD card with a Class 10 or a UHS-1 rating. (For a list of the recommended SD cards, visit [gopro.com/support](http://gopro.com/support).) GoPro recommends using brand name memory cards for maximum reliability in high-vibration activities.

**To Insert the microSD Card:**



Slide the memory card into the card slot with the label facing the front of the camera.

When fully inserted, the card clicks into place.

**To Remove the microSD Card:**



Place your fingernail against the edge of the memory card and lightly press it further into the camera.

The card springs out far enough to be removed.

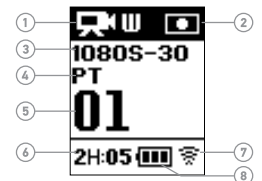
**NOTICE:** Use care when handling memory cards. Avoid liquids, dust and debris. As a precaution, power off the camera before inserting or removing the card. Check manufacturer guidelines regarding use in acceptable temperature ranges.

12

/ Camera Status Screen

Your HERO4 Black features a status screen that displays the following information about modes and settings:

1. Camera Modes/FOV (field of view)
2. Camera Settings
3. Resolution/tps (frames per second)
4. Protune™
5. Number of Files Captured
6. Time/Storage/Files
7. Wireless
8. Battery Life



Note: The icons that appear on the camera status screen vary by mode.

13